

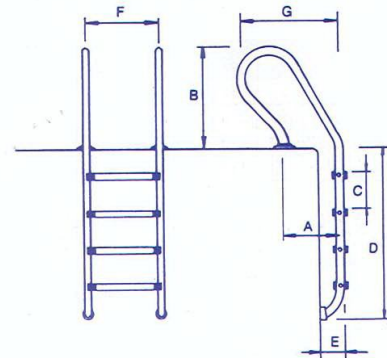
## POOL ACCESS - LADDERS

### Mixed model ladders

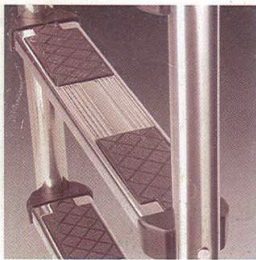


Ladder width 500 mm  
 Handrails in hand polished stainless seteel (Ø 43 mm)  
 Steps in stainless steel or plastic  
 Complete with fixing anchors and earth connection

| Steps | A   | B   | C   | D    | E   | F   | G   |
|-------|-----|-----|-----|------|-----|-----|-----|
| 2     | 350 | 620 | 250 | 710  | 180 | 500 | 522 |
| 3     | 350 | 620 | 250 | 960  | 180 | 500 | 522 |
| 4     | 350 | 620 | 250 | 1210 | 180 | 500 | 522 |
| 5     | 350 | 620 | 250 | 1460 | 180 | 500 | 522 |



### Deluxe model step

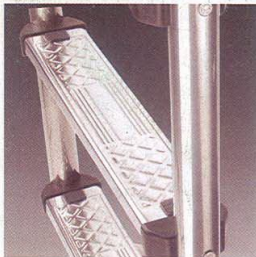


Rails and steps in AISI-316

2 steps ladder  
 3 steps ladder  
 4 steps ladder  
 5 steps ladder

| Code  | Standard Packing | Standard Weight kg | Standard Volume m <sup>3</sup> |
|-------|------------------|--------------------|--------------------------------|
| 05484 | 1                | 9,7                | 0,07                           |
| 05485 | 1                | 11,5               | 0,08                           |
| 05486 | 1                | 12,6               | 0,09                           |
| 05487 | 1                | 14,8               | 0,09                           |

### Standard model step



Rails and steps AISI-304

2 steps ladder  
 3 steps ladder  
 4 steps ladder  
 5 steps ladder

| Code  | Standard Packing | Standard Weight kg | Standard Volume m <sup>3</sup> |
|-------|------------------|--------------------|--------------------------------|
| 05496 | 1                | 9,7                | 0,07                           |
| 05497 | 1                | 11,4               | 0,08                           |
| 05498 | 1                | 15,3               | 0,09                           |
| 05499 | 1                | 14,8               | 0,10                           |

### Plastic model step



Rails in AISI-304, steps in plastic

2 steps ladder  
 3 steps ladder  
 4 steps ladder  
 5 steps ladder

| Code  | Standard Packing | Standard Weight kg | Standard Volume m <sup>3</sup> |
|-------|------------------|--------------------|--------------------------------|
| 05512 | 1                | 9,0                | 0,07                           |
| 05513 | 1                | 10,7               | 0,07                           |
| 05514 | 1                | 12,4               | 0,08                           |
| 05515 | 1                | 14,1               | 0,09                           |